

IN-LINE DUCT FANS

In-line mixed flow fans with high performance air flow capacity and low noise level.

DUCT IN-LINE



Fan:

- Housing polypropylene plastic.
- Easy accessible motor due to the motor support, which can be dismantled without interfering existing duct system. (1)

Motor:

- Asynchronous 1, 2 and 3 speeds motor, self-lubricating bearings for life.
- Protection **IP44** (not **DUCT IN-LINE 100/130**) insulation Class **B**, and thermal cut out.
- External terminal box.
- 60Hz versions on demand.
- Speed control possible (not timer versions).
- **TIMER** version models adjustable from 3 to 15 minutes.

Impeller:

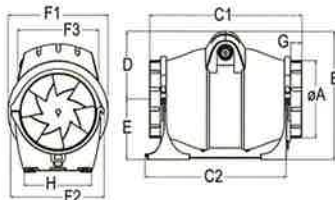
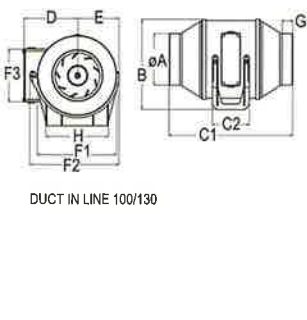
- High performance and very silence helicocentrifugal mixed flow, made in ABS plastic.
- **DUCT IN-LINE 100/130** with centrifugal impeller.

Accessories:

- Fixed plastic grills.

CODE	MODEL	EAN CODE	Speed (r.p.m)	Input Power (W)	Max. Amps (A)	AirFlow (m³/h)	Sound Pressure Level dB(A)	Weight (kg)
SERIE TIMER								
00771000	DUCT IN-LINE 100/130 T	8422248920742	2.200	25	0,16	130	24	1,2
00702100	DUCT IN-LINE 100/270 T	8422248021210	2.300/1.700	30/18	0,18/0,10	270/190	30/24	2,1
00703100	DUCT IN-LINE 125/320 T	8422248021234	2.300/1.700	30/18	0,18/0,10	365/250	32/26	2,1
SERIE ESTANDAR								
00770000	DUCT IN-LINE 100/130	8422248920735	2.200	25	0,16	130	24	1,2
00702000	DUCT IN-LINE 100/270	8422248021203	2.300/1.700	30/18	0,18/0,10	270/190	30/24	2,1
00703000	DUCT IN-LINE 125/320	8422248021227	2.300/1.700	30/18	0,18/0,10	365/250	32/26	2,1
00704000	DUCT IN-LINE 150/560	8422248021241	2.700/2.000	80/60	0,36/0,27	595/420	33/27	3,2
00705000	DUCT IN-LINE 160/560	8422248021265	2.700/2.000	80/60	0,36/0,27	595/420	33/27	3,2
00706000	DUCT IN-LINE 200/910	8422248021289	2.700/2.000/1.800	85/65/55	0,34/0,27/0,24	910/820/720	39/34/32	4,5

DIMENSIONS mm



	Ø A	B	C1	C2	D	E	F1	F2	F3	G	H
DUCT IN LINE 100/130	98	171,5	238	71	102,5	80,5	152	171	100	20	120
DUCT IN LINE 100/270	98	232	315	241,6	117	115	168	180	155	25	130
DUCT IN LINE 125/320	122	232	279	241,6	117	115	168	180	155	25	130
DUCT IN LINE 150/560	147	244	293,4	272,4	129	115	192	180	158	21	130
DUCT IN LINE 160/560	157	244	312,6	272,4	129	115	192	180	158	23	130
DUCT IN LINE 200/910	197	278,5	353,6	272,4	138,5	140	211	230	161,5	51,5	142

