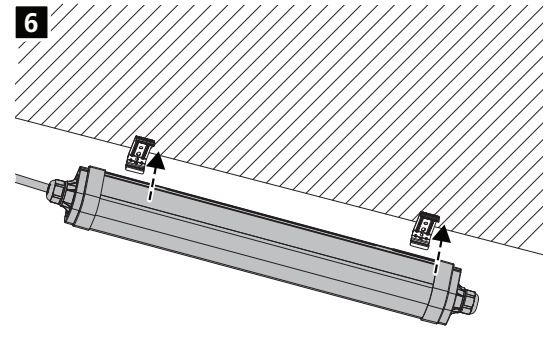
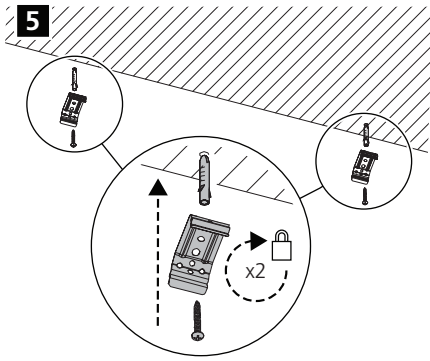
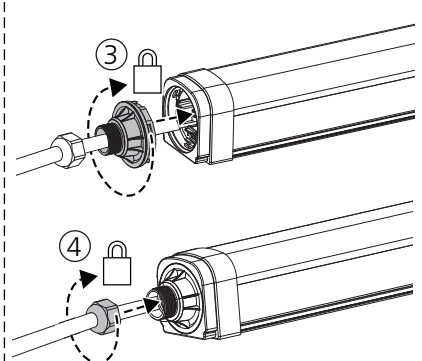
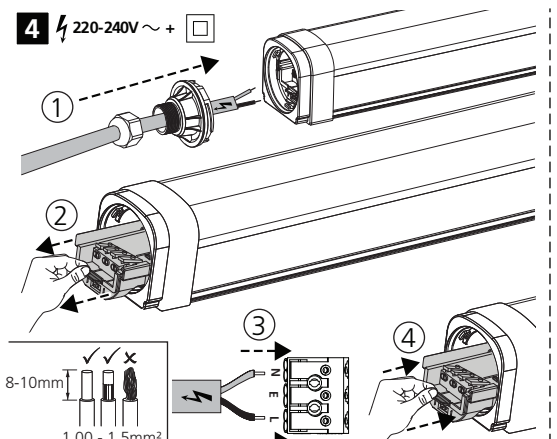
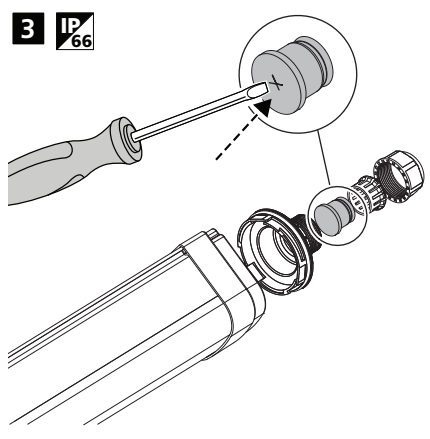
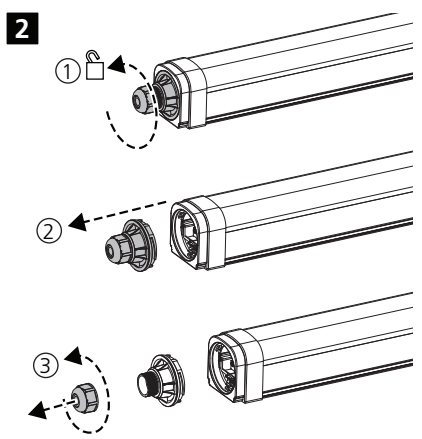
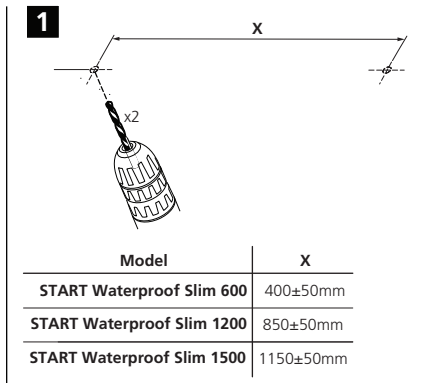
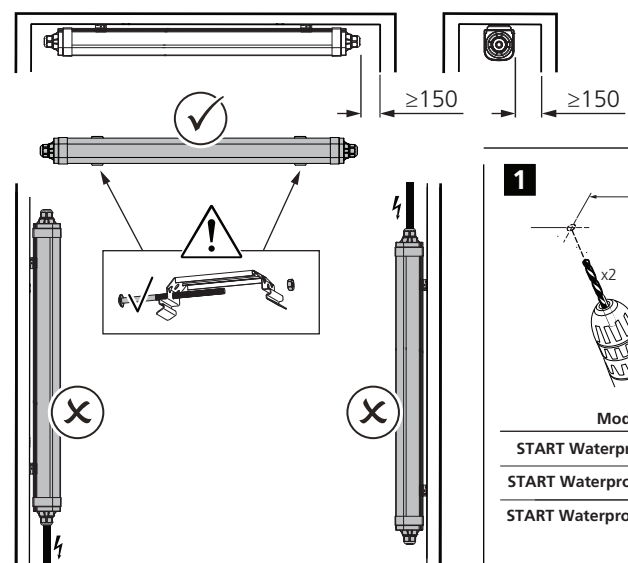
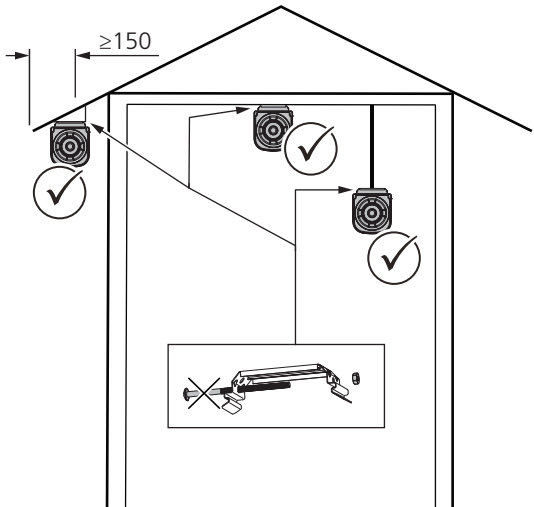
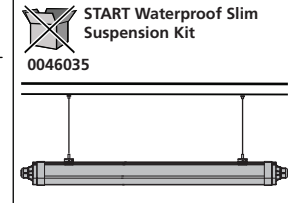
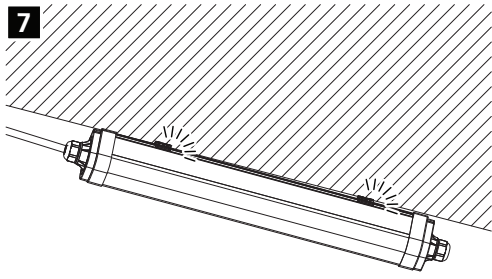


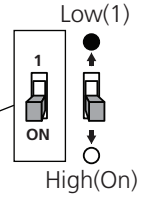
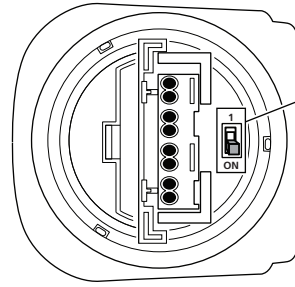
	L
START Waterproof Slim 600	640
START Waterproof Slim 1200	1240
START Waterproof Slim 1500	1540



7



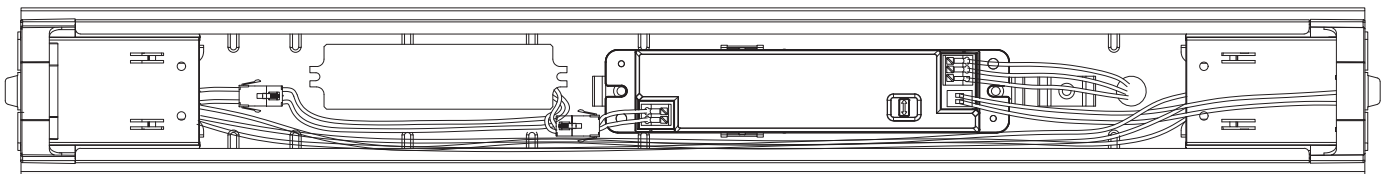
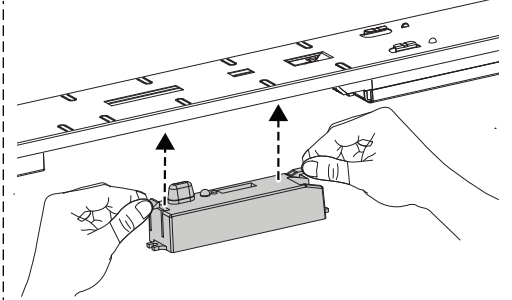
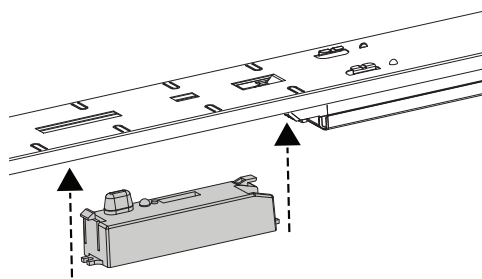
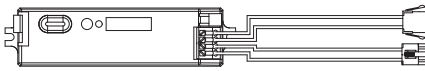
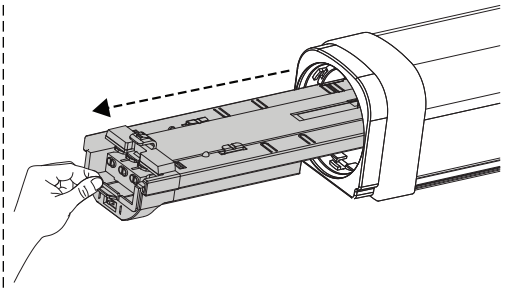
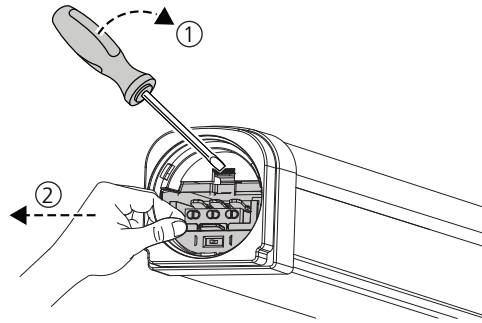
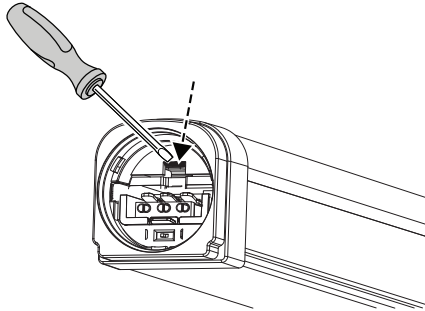
8a 220-240V~ + □



		lm	W	lm/W
START Waterproof Slim 600	●	1400	10.5	133
	○	2550	18.5	138
START Waterproof Slim 1200	●	2300	17	135
	○	4650	34.5	135
START Waterproof Slim 1500	●	3800	26	146
	○	7300	52.5	139

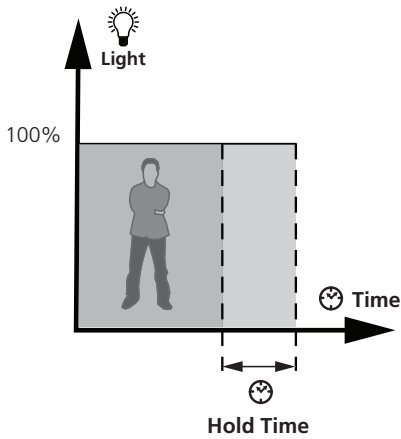
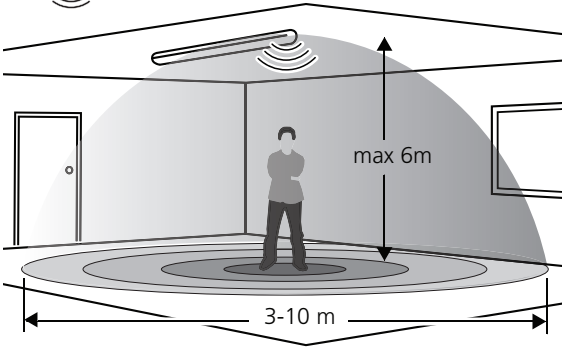
8b START Batten ON/OFF MW Sensor KIT

0048986



# Start Batten ON/OFF MW Sensor KIT

0048986



- ON
- ▲
- 
- ▼
- 
- OFF

**Detection Area**

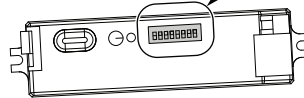
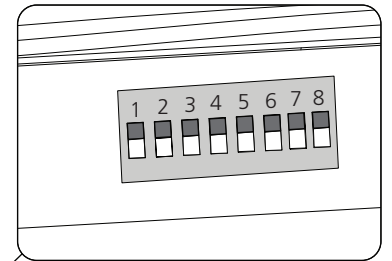
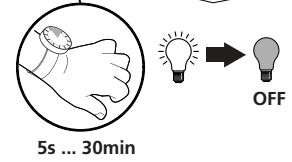
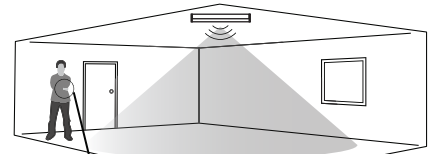
	1	2	%	Detection Ø
I	●	●	100%	10m
II	○	●	75%	8m
III	●	○	50%	5m
IV	○	○	25%	3m

**Hold Time**

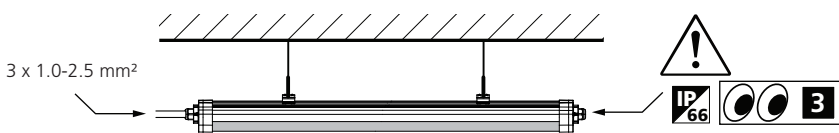
	3	4	5	🕒
I	●	●	●	5s
II	○	●	●	30s
III	●	○	●	90s
IV	○	○	●	5min
V	●	○	○	20min
VI	○	○	○	30min

**Daylight Sensor**

	6	7	8	Lux
I	●	●	●	2Lux
II	●	●	○	10Lux
III	○	●	○	30Lux
IV	●	○	○	50Lux
V	○	○	○	Disable



9



(Max. 20 pcs)

